
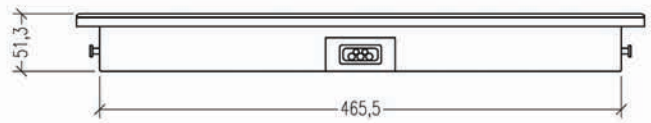
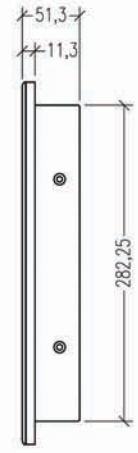
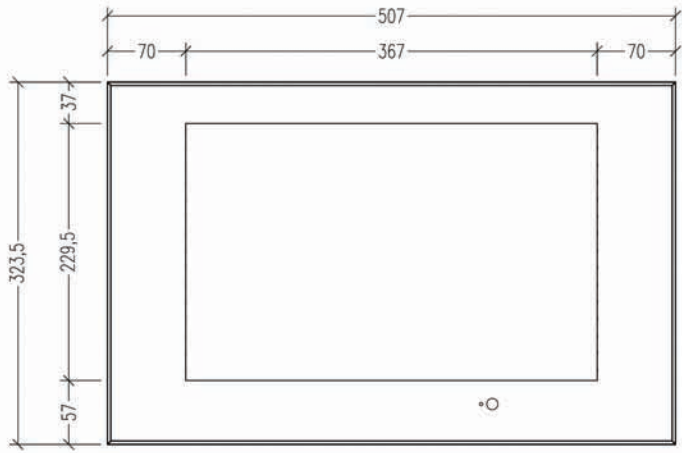



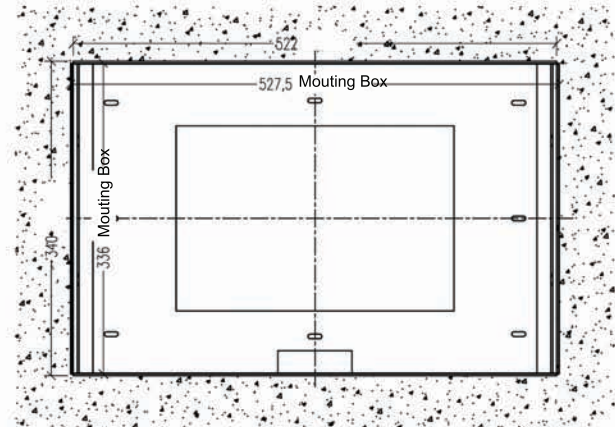
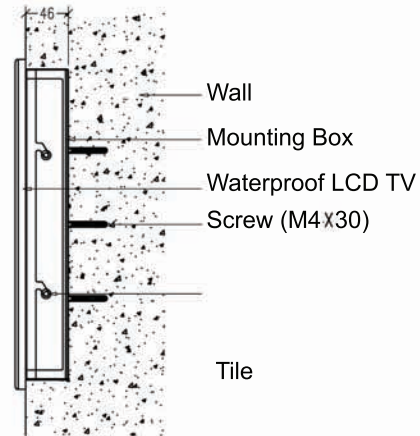
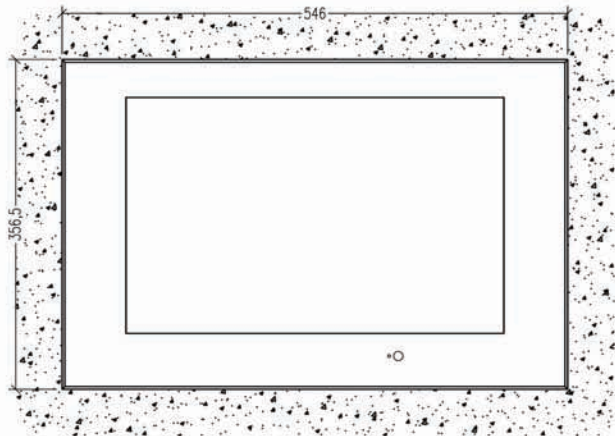
Project :-
17" Waterproof LCD TV

Drawing Title :-
Installation Instruction

Dwg by	Date	Checked by	Job No :
	25-05-2009		Scale : 1 : 4
Request	Unit		Dwg. No.
	mm		KT-1703-02
			Rev.



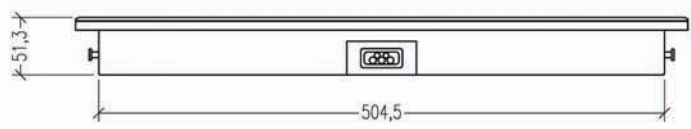
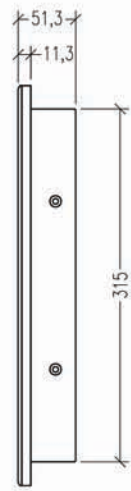
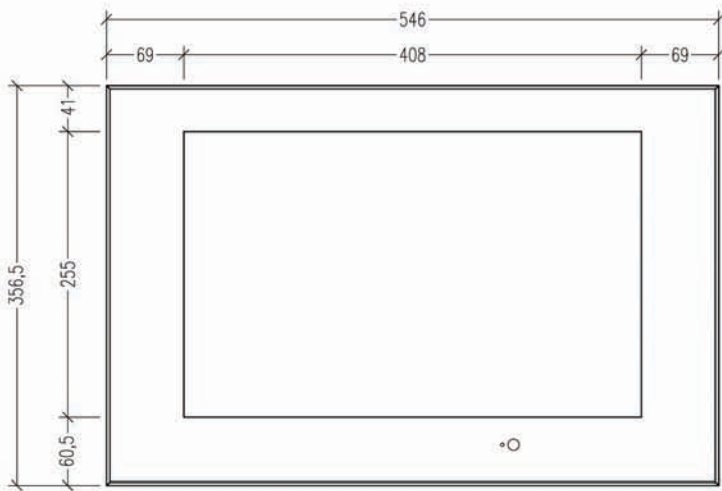
	Project :-	Drawing Title :-	Dwg by	Date	Checked by	Job No :	
	17" Waterproof LCD TV	Dimensions		25-05-2009		Scale : 1 : 4	
			Request	Unit		Dwg. No. KT-1703-01	Rev.
				mm			




Project :-
19" Waterproof LCD TV

Drawing Title :-
Installation Instruction

Dwg by	Date	Checked by	Job No:
	25-05-2009		Scale : 1 : 4
Request	Unit		Dwg. No.
	mm		KT-1903-02
			Rev.



Project :- 19" Waterproof LCD TV		Drawing Title :- Dimensions		Dwg by	Date	Checked by	Job No :	
					25-05-2009			
				Request	Unit		Dwg. No.	Rev.
					mm		KT-1903-01	